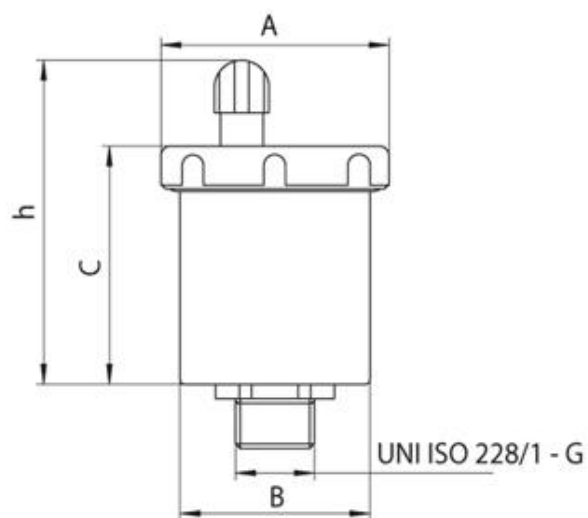




Serie **TURBO PRESS**

Articolo **595020•**

Straight automatic valve for air outlet.



TRATTAMENTO TREATMENT	MISURA SIZE	SAC.	BOX	MASTER BOX	CODICE CODE	A	B	C	h
Nichelato - Nickel plated	3/8"	-	10	40	59502003	48	40	50	68
Nichelato - Nickel plated	1/2"	-	10	40	59502004	48	40	50	68

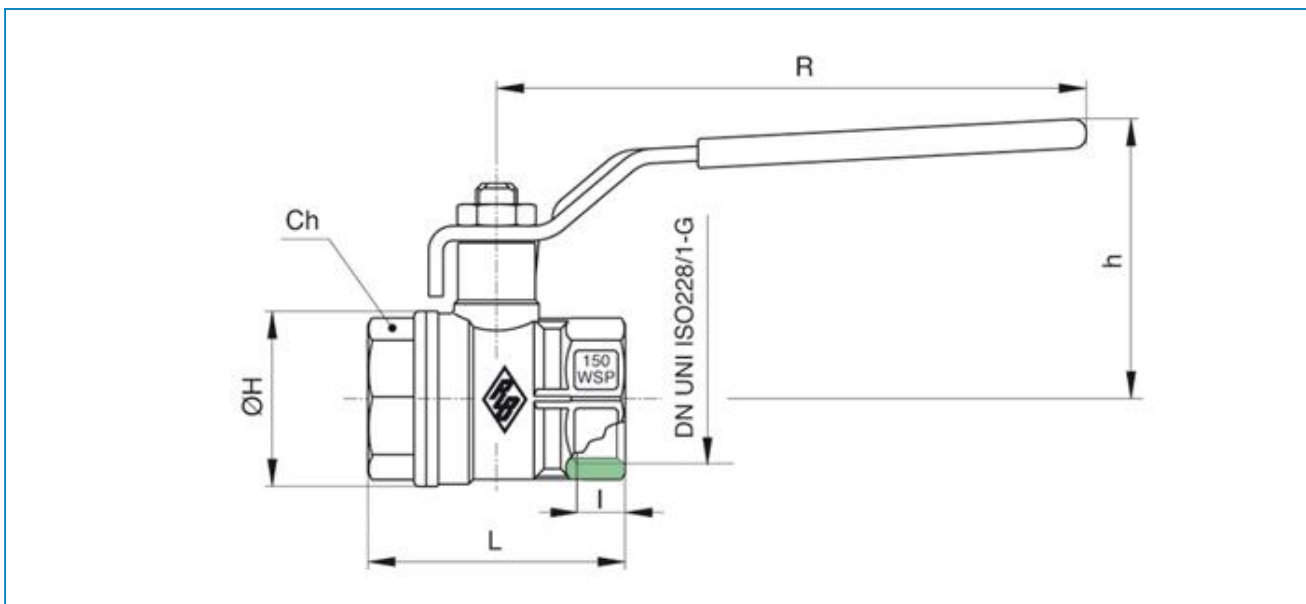




Serie **UNI-SFER**

Articolo **1510**

Full bore ball valve, F/F threaded, with steel handle.



POS.	PART NAME	MATERIALE-MATERIALS MATERIAUX-WERKSTOFF- MATERIAL	N°P
1	BODY	OTTONE CW617N UNI EN 12165	1
2	END CONNECTION	OTTONE CW617N UNI EN 12165	1
3	BALL	OTTONE CW617N UNI EN 12165	1
4	STEM	OTTONE CW614N UNI EN 12164	1
5	HANDLE	ACCIAIO DC04 EN 10020	1
6	BALL SEAT	P.T.F.E	2
7	ANTIFRICTION SEAT	P.T.F.E	1
8	O-RING	FKM	2
9	O-RING	NBR	2
10	NUT	ACCIAIO CL 04	1

MISURA SIZE	DN	BOX	MASTER BOX	CODICE CODE	I	L	ØH	Ch	R	h	Kv	PN	Kg
1/4"*	8	25	50	1710020000	11	51,5	23	20	96	42	5,4	64	0,15
3/8"*	10	25	50	1710030000	11,4	51,5	23	20	96	42	6	64	0,14
1/2"	15	50	100	1510040000	12	47,5	30	25	96	45	16,3	30	0,18
3/4"	20	25	50	1510050000	12	53	36	31	121	56,5	29,5	30	0,28
1"	25	20	40	1510060000	14,5	65,5	43,5	38	121	59	43	30	0,43
1"1/4	32	10	20	1510070000	16	76,5	53	48	151	72,5	89	25	0,74
1"1/2	40	6	12	1510080000	18	89	65	54	151	78,5	230	25	1,06
2"	50	4	8	1510100000	19	103	80	67	160	91,5	265	25	1,70
2"1/2*	65	2	4	1710120000	30,2	152	111	90	206	123	540	25	3,71
3"*	80	-	4	1710140000	33,3	177	136	105	206	133	873	25	5,90
4*	100	-	2	1710180000	39,3	214	166	130	261	165	1390	25	10,00

Limiti di temperatura: -20°C +130°C - Temperature range: -20°C +130°C.

* Art.1710

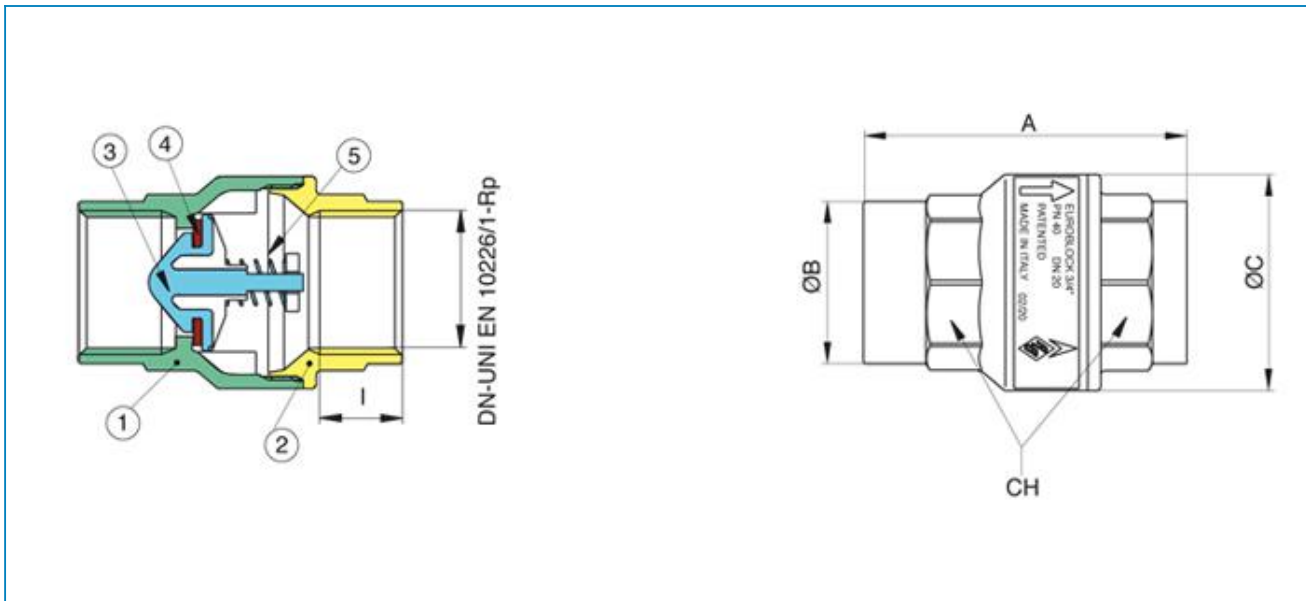
PATENTED



Serie **EUROBLOCK**

Articolo **100000**

Full bore check valve, F/F threaded.



POS.	PART NAME	MATERIALE-MATERIALS MATERIAUX-WERKSTOFF- MATERIAL	N°P
1	BODY	OTTONE CW617N UNI EN12165	1
2	END CONNECTION	OTTONE CW617N UNI EN12165	1
3	SPRING	ACCIAIO INOX AISI 302	1
4	FLAT SEAT	NBR	1
5	OBSTRUCTOR	PEI (ULTEM 1000)	1

MISURA SIZE	DN	BOX	MASTER BOX	CODICE CODE	I	Ch	ØB	ØC	A	Kv	PN	Kg
3/8"	10	20	160	10000003	11,4	20	20	27	47	3,7	40	0,09
1/2"	15	20	160	10000004	15	25	25	34,5	59	5,8	40	0,14
3/4"	20	10	80	10000005	16,3	31	30,5	42	65	8,6	40	0,21
1"	25	8	64	10000006	19,1	38	37,5	49	75	13,8	25	0,32
1"1/4	32	6	36	10000007	21,4	48	47,5	61	83	20,2	25	0,53
1"1/2	40	6	24	10000008	21,4	54	53,5	73	89	30,9	16	0,75
2"	50	6	12	10000010	25,7	67	68	88	101,5	48,8	16	1,13
2"1/2	65	2	4	10000012	30,2	83	82	11,5	121	79,4	12	2,00
3"	80	2	4	10000014	33,3	98	97,5	133	136	124,9	12	3,12
4"	100	-	2	10000018	39,3	128	127	163	158	194,4	10	5,64

Limiti di temperatura: -20°C +100°C - Temperature range: -20°C +100°C



**RUBINETTERIE
BRESCIANE**



NEW

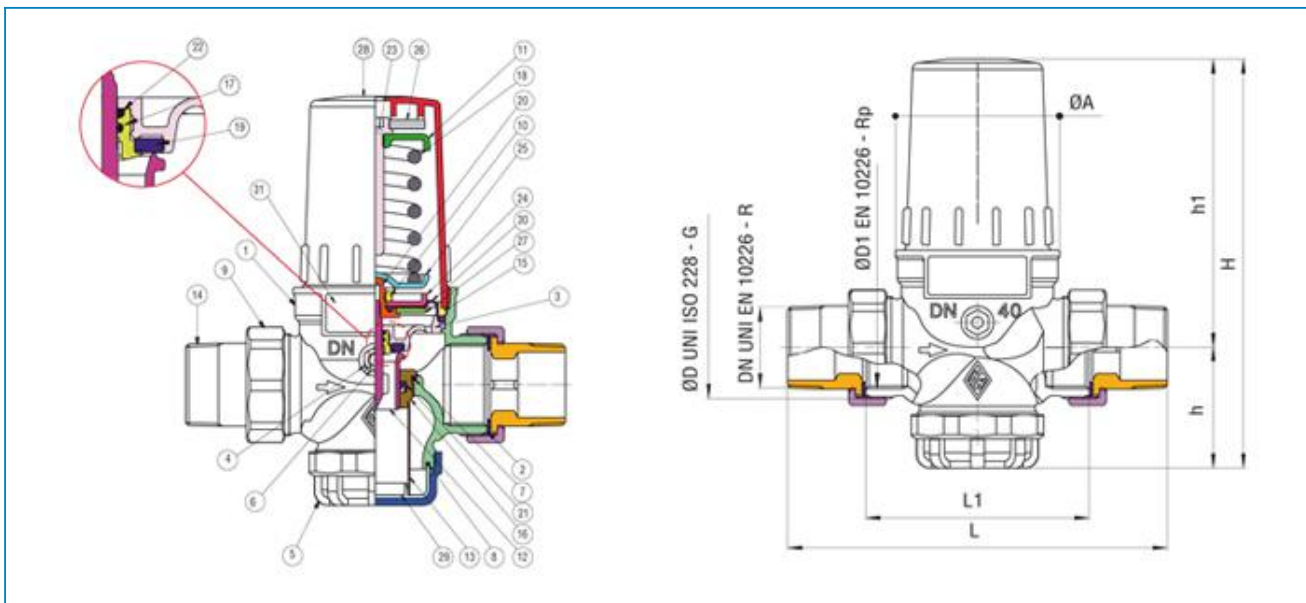


Serie **EURO**

Articolo **300030**

Pressure reducing and regulating valve with balanced seat, outlet setting from 1,5 to 6 bar, with upstream 500 micron flow filtering system, connections with ring nut and union.

Art.300002: senza codoli-without male union tails



POS.	PART NAME	MATERIALE-MATERIALS MATERIAUX-WERKSTOFF- MATERIAL	N°P
1	BODY	OTTONE CW 617N UNI EN 12165	2
2	FLAT SEAT	FIBRA ECOLOGICA VERDE	2
3	SUPPORT	ACCIAIO CF8M	1
4	BOWL	OTTONE CW 614N UNI EN 12164	2
5	BOWL	OTTONE CW 617N UNI EN 12165	1
6	O-RING	NBR	2
7	O-RING	NBR	1
8	O-RING	NBR	1
9	NUT	OTTONE CW 617N UNI EN 12165	2
10	NUT	ACCIAIO CL 04	1
11	WASHER	ACCIAIO	1
12	OBSTRUCTOR	ACCIAIO CF8M	1
13	STRAINER	ACCIAIO AISI 304	1
14	MALE UNION TAIL	OTTONE UNI EN 1982	1
15	BUSH	POM	1
16	RING NUT	ACCIAIO AISI 316	1
17	RING NUT	OTTONE CW 614N UNI EN 12164	1
18	SPRING	ACCIAIO UNI EN 10270-1 SH	1
19	FLAT SEAT	NBR	1
20	SUPPORT	OTTONE CW 614N UNI EN 12164	1
21	SEAT	NBR	1
22	O-RING	EPDM PEROX	1
23	SCREW	ACCIAIO CL 8.8	1
24	WASHER	ACCIAIO AVP	1
25	WASHER	ACCIAIO AVP	1

26	WASHER	ACCIAIO AVP	1
27	WASHER	OTTONE CW 614N UNI EN 12164	1
28	TCRAKCASE	PA 6	1
29	TCRAKCASE	PA 12	1
30	MEMBRANE	NBR	1
31	METALLIC LABEL	ALLUMINIO	1

MISURA SIZE	DN	BOX	MASTER BOX	CODICE CODE	ØD	ØD1	ØD2	ØA	h	h1	H	L	L1	PN	Kg
1/2"	15	1	10	30003004	3/4"	1/2"	1/2"	56	48	78,5	127	140	80	30	0,74
3/4"	20	1	6	30003005	1"	3/4"	3/4"	56	48	78,5	127	160	92	30	0,89
1"	25	1	6	30003006	1"1/4	1"	1"	72	54,5	94	149	185	105	30	1,44
1"1/4	32	1	6	30003007	1"1/2	1"1/4	1"1/4	72	54,5	94	149	194	109	30	1,60
1"1/2	40	1	5	30003008	2"	1"1/2	1"1/2	95,5	70	168	238	221	130	30	3,81
2"	50	1	3	30003010	2"1/2	2"	2"	95,5	70	168	238	238	140	30	4,97

Limiti di temperatura (aria e acqua) : -10°C +70°C - Temperature range (air and water): -10°C +70°C

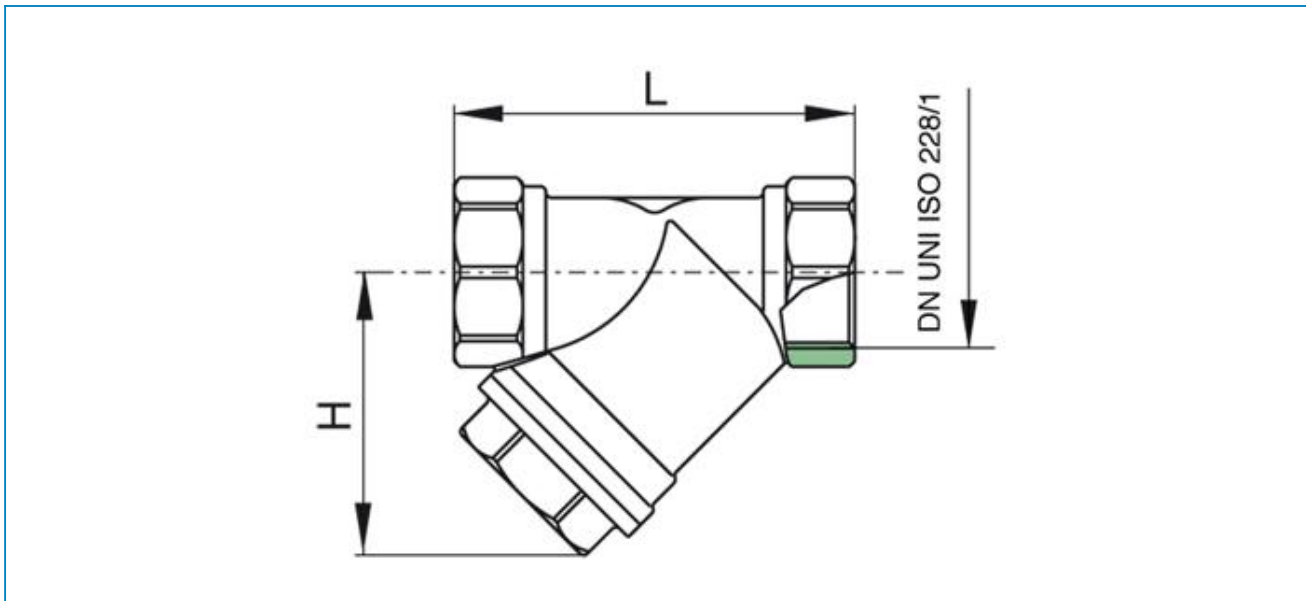




Serie **JUNIOR BLOCK**

Articolo **110000**

Y strainer with stainless steel filter.



MISURA SIZE	DN	BOX	MASTER BOX	CODICE CODE	MICRON	H	L	Kv	PN
3/8"	10	20	120	11000003	400	40	55	3,41	20
1/2"	15	20	120	11000004	400	40	58	4,47	20
3/4"	20	10	60	11000005	400	50	70	7,85	20
1"	25	20	40	11000006	400	60	87	11,08	20
1"1/4	32	15	30	11000007	500	68	96	16,00	20
1"1/2	40	10	20	11000008	500	75	106	22,28	20
2"	50	4	8	11000010	500	90	126	25,37	20
2"1/2*	65	2	4	11000112	600	100	145	60	16
3"*	80	2	4	11000114	600	118	165	80	16
4"*	100	-	2	11000118	600	170	215	100	16

